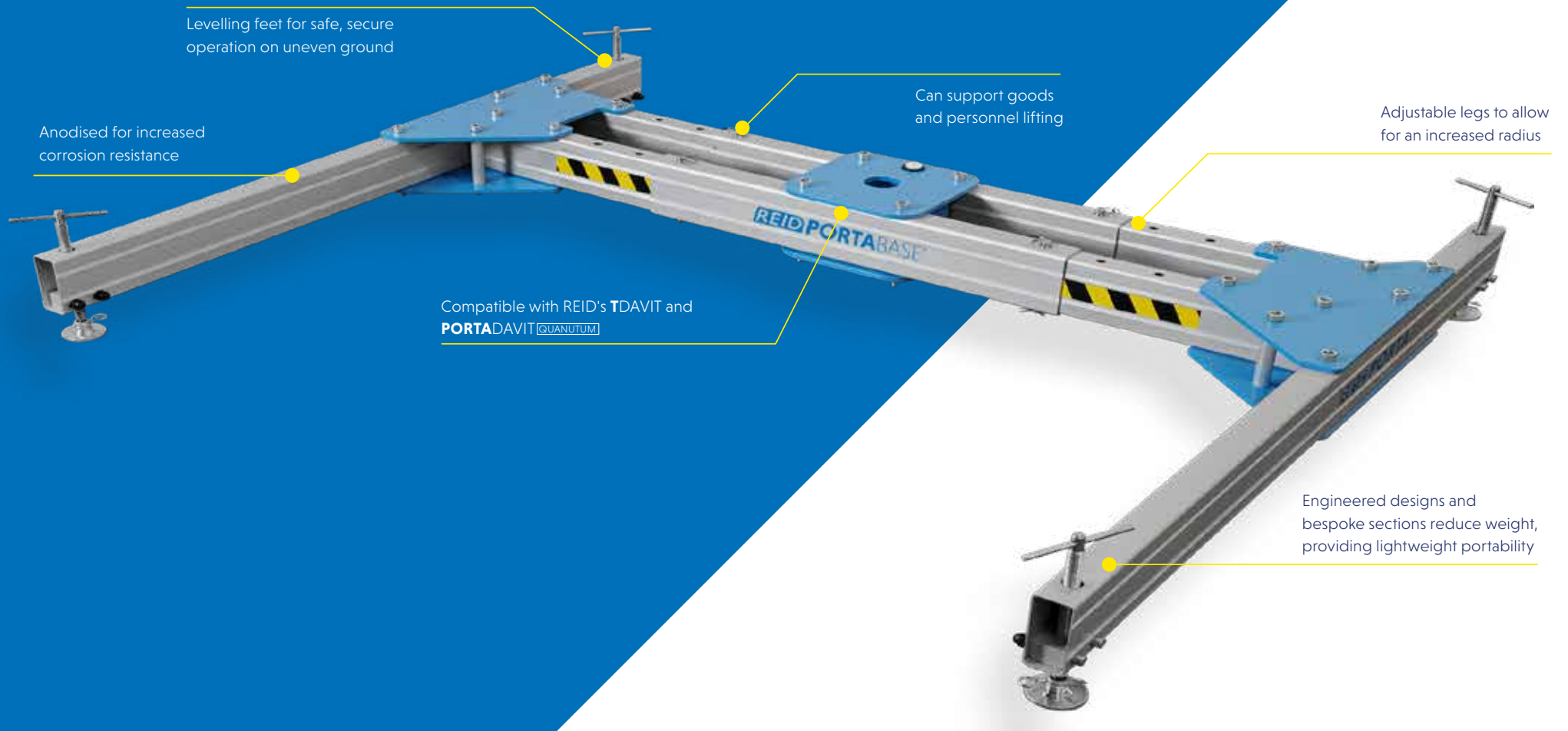




**> PORTABASE<sup>®</sup>**  
H Base

# PORTABASE<sup>®</sup>



Levelling feet for safe, secure operation on uneven ground

Anodised for increased corrosion resistance

Can support goods and personnel lifting

Adjustable legs to allow for an increased radius

Compatible with REID's TDAVIT and PORTADAVIT QUANTUM

Engineered designs and bespoke sections reduce weight, providing lightweight portability

The **PORTABASE H Base** is a three piece, portable system which can be easily broken down for transportation.

Expertly engineered to provide full use and compatibility with the **TDAVIT** and **PORTADAVIT QUANTUM** providing maximum flexibility where the installation or use of a fixed socket is not possible.

The **PORTABASE H Base** enables our Davit products to be used for lifting goods up to 600kg, as well as providing access and egress for confined space and work at height tasks, including as an anchor point for fall arrest scenarios.

## Key features

- EN795:2012 Certified
- Can support goods and personnel lifting;
  - Goods WLL of up to 600kg
  - Personnel WLL of up to 300kg
- Breaks down in to 3 components for ease of transportation
- Designed for ease of assembly using pins, with no bolted sections or the need for tools
- Detachable legs for ease of transportation
- Levelling feet designed to support the system to function correctly on uneven ground
- Compatible with the use of **TDAVIT** and **PORTADAVIT QUANTUM**
- Clean, anodised finish for increased corrosion resistance
- Engineered designs and bespoke sections reduce weight, providing lightweight portability



**600KG  
WLL**



**1-2 PERSON  
ASSEMBLY**



**3 MANAGEABLE  
COMPONENTS**

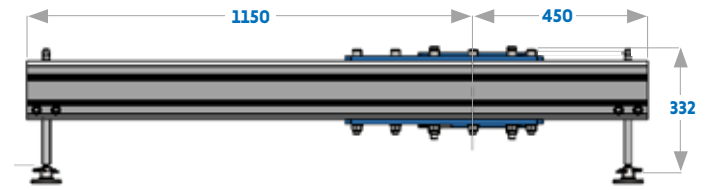
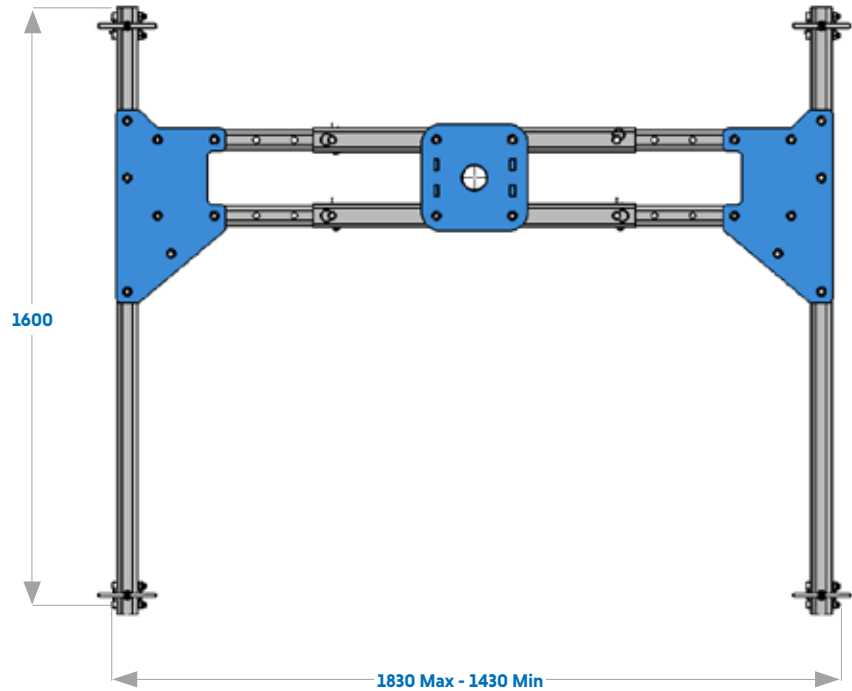


**EN795  
CERTIFIED**

## Features & Performance

	H BASE
<b>Accreditations, Certifications &amp; Standards</b>	
EN795:2012	✓
ANSI Z359.18-17	✓
ATEX Certified [Zone 2]	Optional
IRATA	✓
<b>Capacity</b>	
Maximum Goods Lifting [kg]	600
Maximum Personnel Lifting [kg]	300
Fall Arrest [Persons]	1
Maximum Radius [mm]	800
<b>Dimensions</b>	
Minimum Base Width [mm]	1430
Maximum Base Width [mm]	1830
Minimum Base Height [mm]	217
Maximum Base Height [mm]	332
Overall Length [mm]	1600
<b>Compatible Products</b>	
Porta Davit Quantum [Restricted]	✓
Porta Davit Quantum [1]	X
Porta Davit Quantum [2]	X
T Davit [Shackled]	✓
T Davit [Winched]	✓
T Davit [Double Winched]	✓
<b>Standard Features</b>	
Levelling Feet	✓
Individual Component Weight < 25kg	✓
No Tools Required	✓
<b>Finishes</b>	
Anodised / Powder Coated	✓
316SS Fixings	Optional
Marine Spec	Optional

# PORTABASE® H Base | Dimensions

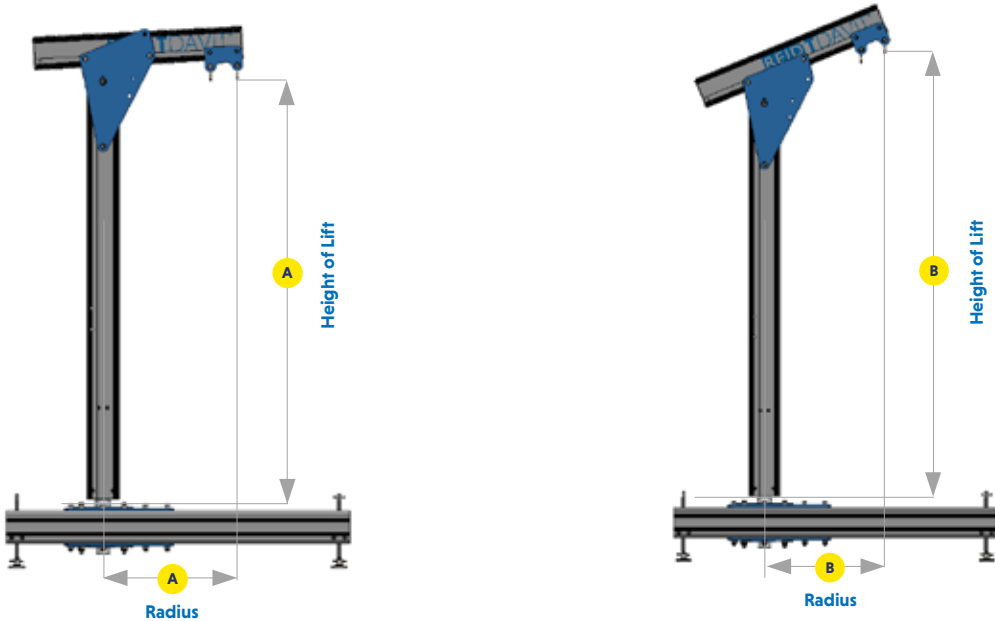


Product Code	Description
PBHB00001	PORTABASE H Base Standard - Max 800mm Radius

Dimensions

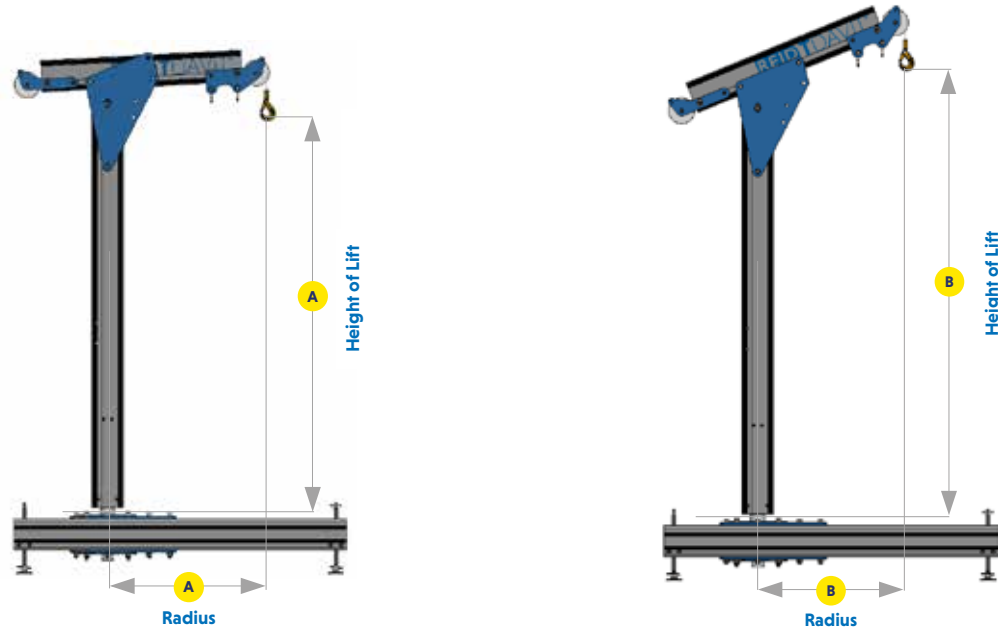
Component	Weight [kg]
Central Hub	18.5kg
Leg Assembly [Each]	22.5kg
<b>Total Weight</b>	<b>63.5kg</b>

**PORTA**BASE® H Base | **TDAVIT**® Shackled



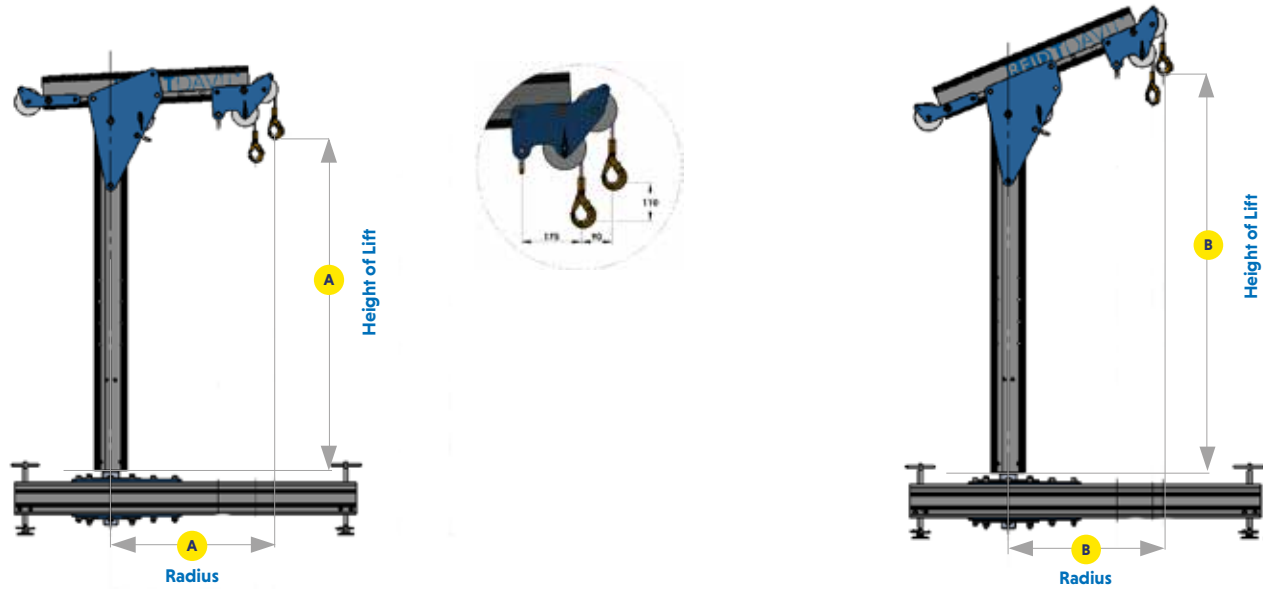
PRODUCT CODE	HEIGHT OF LIFT (HOL) (MM)		RADIUS (MM)		WLL			WEIGHT (KG)
	Position A	Position B	Position A	Position B	Goods [kg]	Personnel [kg]	Fall Arrest	
<b>TDSA3A0</b>	1370	1590	650	590	600	300	1 person	32
<b>TDSA4A0</b>	1685	1905	650	590	600	300	1 person	34
<b>TDSA5A0</b>	1995	2215	650	590	600	300	1 person	37

**PORTABASE®** H Base | **TDAVIT®** Winched



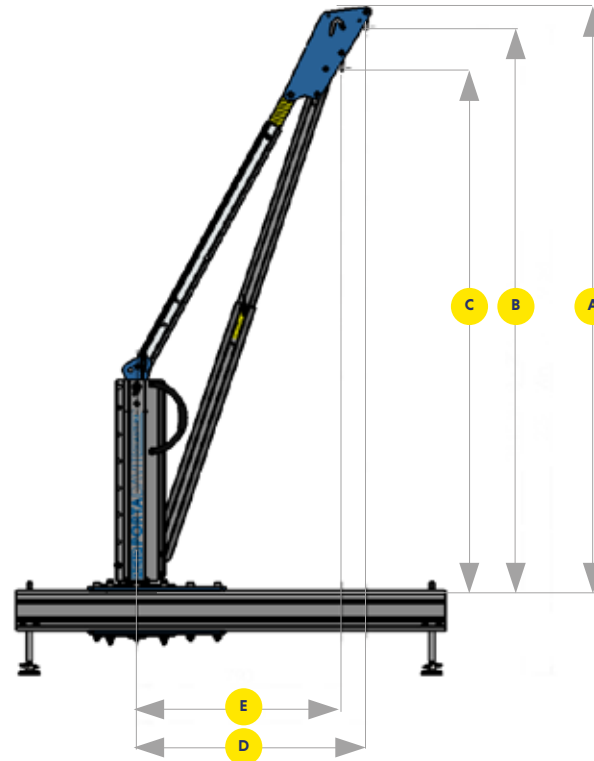
PRODUCT CODE	HEIGHT OF LIFT (HOL) (MM)		RADIUS (MM)		WLL			WEIGHT (KG)
	Position A	Position B	Position A	Position B	Goods [kg]	Personnel [kg]	Fall Arrest	
<b>TDWA3A0</b>	1290	1540	800	740	600	300	1 person	34
<b>TDWA4A0</b>	1605	1855	800	740	600	300	1 person	36
<b>TDWA5A0</b>	1915	2165	800	740	600	300	1 person	39

**PORTABASE**® H Base | **TDAVIT**® Double Winched



PRODUCT CODE	HEIGHT OF LIFT (HOL) (MM)		RADIUS (MM)		WLL			WEIGHT (KG)
	Position A	Position B	Position A	Position B	Goods [kg]	Personnel [kg]	Fall Arrest	
<b>TDDWA3A0</b>	1329	1641	800	706	600	300	1 person	34
<b>TDDWA4A0</b>	1644	1956	800	706	600	300	1 person	36
<b>TDDWA5A0</b>	1954	2266	800	706	600	300	1 person	39

- A** Overall height
- B** Height to outer shackle
- C** Height to inner shackle
- D** Radius to outer shackle
- E** Radius to inner shackle



DIMENSIONS (MM)

PRODUCT CODE	GOODS WLL (KG)	PERSONNEL WLL (KG)	FALL ARREST	RADIUS ADJUSTMENT POINTS	A	B	C	D*	E*
PDQR	600	300	1 person	1	2150	2078	1928	800	700

**REID Lifting**

Unit 1 Wyeview,  
Newhouse Farm Ind. Estate  
Chepstow, Monmouthshire  
NP16 6UD UK

- > +44 (0)1291 620 796
- > +44 (0)1291 626 490 (Fax)
- > enquiries@reidlifting.com
- > www.reidlifting.com

All information herein is copyright protected by REID Lifting Ltd. All company and product names are Trade Mark and Trade Name protected and all REID Product IPR is protected under Patents, Patents Pending and/or Design Rights.

Printed using environment friendly processes and materials.