



 **PORTADAVIT**<sup>®</sup>

[REIDLIFTING.COM](http://REIDLIFTING.COM)

Our **PORTADAVIT** is a rapid deployable, lightweight solution that offers a WLL of up to 1000kg and can be easily rotated 360° under a full load. The system can be operated by just one person and can support both goods and personnel lifting.

## > Key features

- > EN795:2012 Certified
- > ATEX Certified
- > Can support goods and personnel lifting;
  - > Goods WLL of up to 1000kg
  - > Personnel WLL of up to 300kg
- > Ease of assembly with the use of just one pin, no tools required
- > Can be rotated 360° under a full load
- > Engineered with easy radius adjustment
- > Engineered designs and bespoke sections reduce weight, providing lightweight portability

## > Configurations

The **PORTADAVIT** is available in a range of standard configurations. It can also be customised in line with specific requirements and interchangeable components (subject to WLL rating).



**500KG - 1000KG  
WLL**



**1 PERSON  
ASSEMBLY**



**24KG - 39KG  
BAGGED**



**EN795  
CERTIFIED**



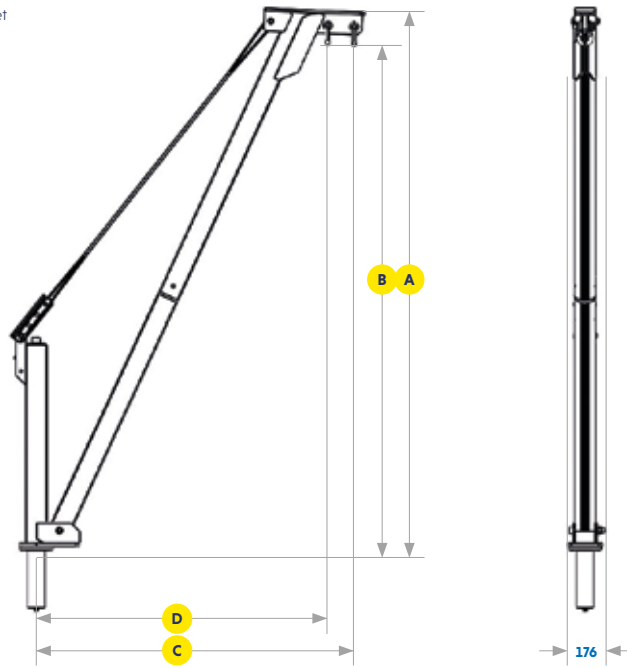
**ATEX  
CERTIFIED**

## > Features & Performance

	500	1000
<b>Accreditations, Certifications &amp; Standards</b>		
EN795:2012	✓	✓
PD CEN / TS16415:2013	×	✓
AS/NZS 5532:2013	✓	✓
ATEX Certified [Zone 2]	✓	✓
ATEX Certified [Zone 1]	Optional	Optional
IRATA	×	✓
<b>Capacity</b>		
Maximum Goods Lifting [kg]	500	1000
Maximum Personnel Lifting [kg]	250	300
Fall Arrest [Persons]	1	2
<b>Dimensions</b>		
Maximum Reach [mm]	1200	1200
Maximum Height of Lift [mm]	2107	2100
<b>Socket Diameter</b>		
65mm	✓	×
95mm	×	✓
<b>Socket Options</b>		
Top Mount	✓	✓
Flush Mount	✓	✓
Side Mount	✓	✓
Bridge Mount	✓	×
Pedestal	✓	×
Extension Post	✓	×
<b>Standard Features</b>		
Shackle Lifting points	✓	✓
Weight < 25kg	✓	×
<b>Optional Extras</b>		
Winch Capable	Optional	×
<b>Finishes</b>		
Anodised	×	✓
Powder Coated	✓	×
316SS Fixings	Optional	Optional
Marine Spec	Optional	Optional

# PORTADAVIT® 500

- A** Overall height from top of socket
- B** Height to outer shackle
- C** Radius to outer shackle
- D** Radius to inner shackle

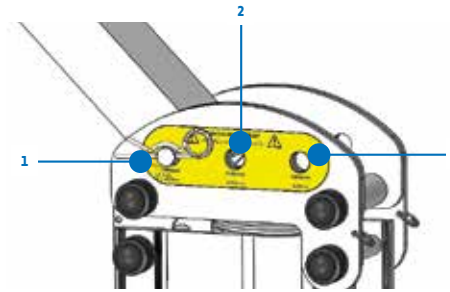
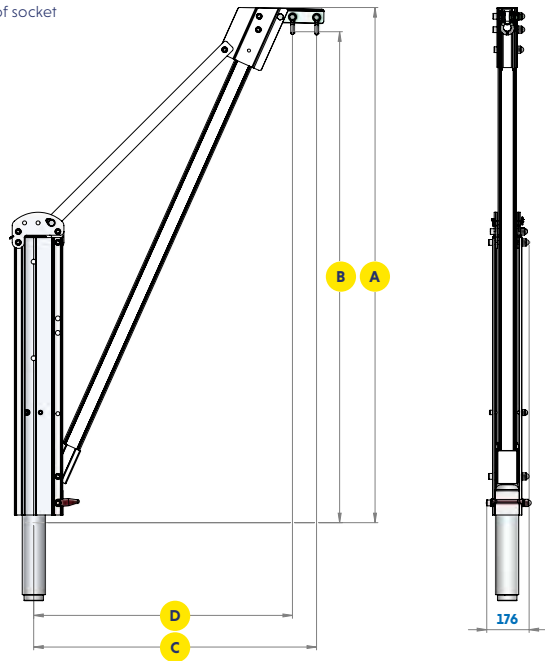


WLL	Radius Adjustment Points	Dimensions [mm]			
		A	B	C*	D*
500kg	1	2036	1925	1200	1100
	2	2139	2028	1000	900
	3	2218	2107	800	700

\*Radii achieved at = 75% WLL

# PORTADAVIT® 1000

- A** Overall height from top of socket
- B** Height to shackles
- C** Radius to outer shackle
- D** Radius to inner shackle



WLL	Radius Adjustment Points	Dimensions [mm]			
		A	B	C*	D*
1000kg	1	2100	2000	1200	1100
	2	2150	2050	1100	1000
	3	2200	2100	1000	900

\*Radii achieved at = 75% WLL

All information herein is copyright protected by REID Lifting Ltd. All company and product names are Trade Mark and Trade Name protected and all REID Product IPR is protected under Patents, Patents Pending and/or Design Rights.

Printed using environment friendly processes and materials.

## REID Lifting

Unit 1 Wyeview,  
Newhouse Farm Ind. Estate  
Chepstow, Monmouthshire  
NP16 6UD UK

- > +44 (0)1291 620 796
- > +44 (0)1291 626 490 (Fax)
- > enquiries@reidlifting.com
- > www.reidlifting.com