



 TDAVIT® TDVW

Variable Winch Variant

REIDLIFTING.COM

➤ Product Overview

Our **TDAVIT® TDVW** is lightweight, portable and has been designed to meet customer needs where the lifting and moving of equipment in tight spaces is a challenge.

The **TDAVIT® TDVW** offers a lifting capacity of up to 300kg with a variable radius winch, achieved by the unique TDVW cheek plates which have built-in trolley rollers, allowing the beam position to be easily adjusted and locked in addition to 360° rotation while under load.

It is very well suited to plant rooms, engine rooms and kiosks or anywhere where space is a premium and flexibility in moving loads is needed.

Configurations

The **TDVW** is available in several standard configurations to meet with customers most common requirements. Custom solutions can be offered by request, subject to the working load limit requirements.

Key features

- A range of 3 columns and 4 beam sizes to suit customer specific needs
- Variable beam length achieved with simple manual operation
- Beam can be secured during lift
- Easy beam adjustment whilst under load (726mm to 1526mm of movement)
- Rotation under load due to patented integral bearing system
- Universal kingpin fits all REID sockets
- Manufactured from marine grade alloy and anodised/powder coated for increased corrosion resistance
- Quality engineering and production parts reduce weight and provide high strength to weight ratios
- Two piece design to reduce manual handling concerns during transportation and assembly
- ATEX Zone 2 (explosive atmospheres) certification as standard
- ATEX Zone 1 (explosive atmospheres) as optional upgrade
- Can be assembled and operated by one person. No tools required

Winches

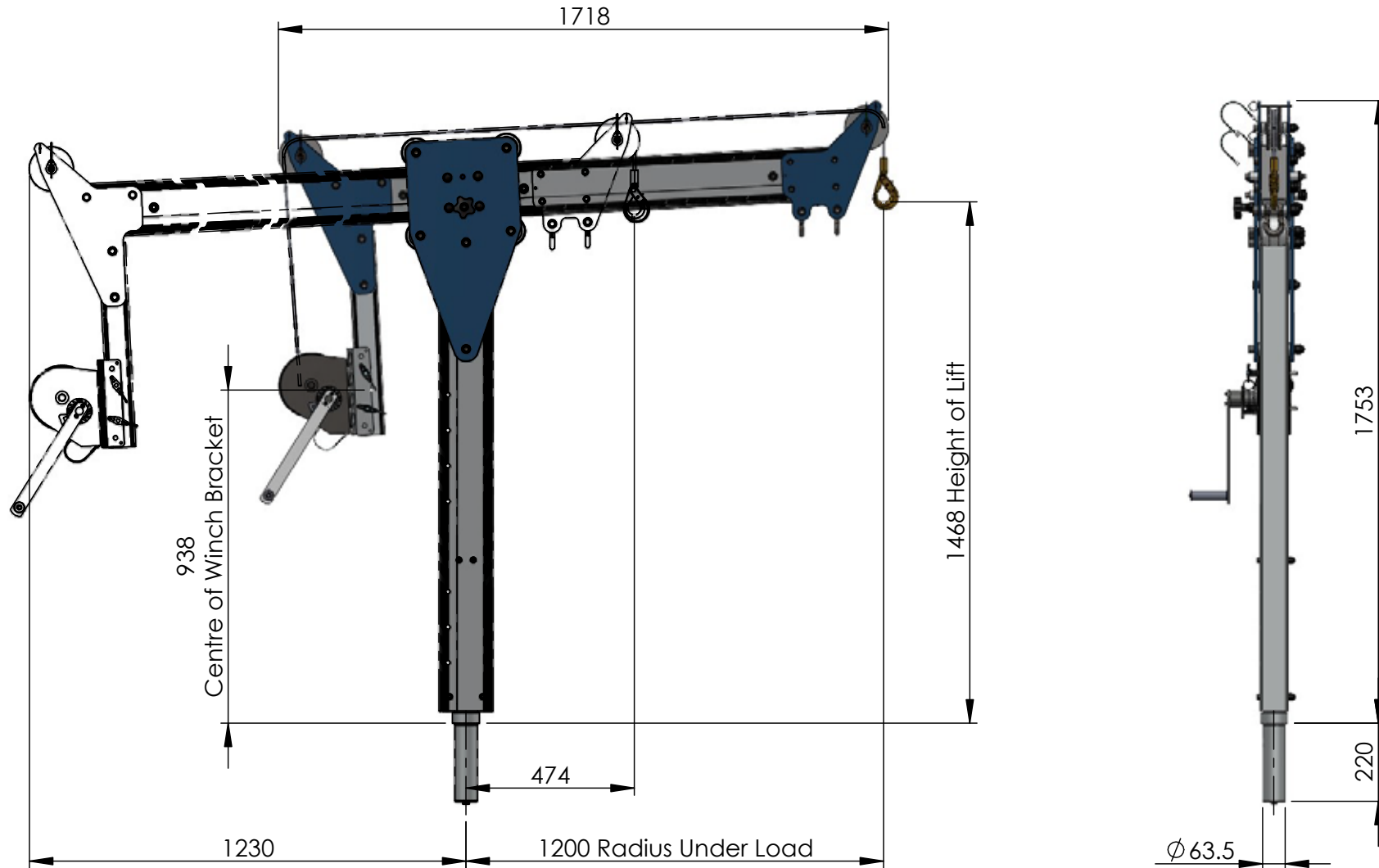
The **TDVW** is compatible with a number of goods winches which are available to purchase directly from REID, or alternatively these can be purchased via our network of resellers operating in your area.

Features & Performance

	1200	1500	1700	2000
Accreditations, Certifications & Standards				
Directive 2006/42/EC	✓	✓	✓	✓
ATEX Certified [Zone 1]	Optional	Optional	Optional	Optional
Capacity				
Max Goods Lifting (kg)	300	150	200	200
Dimensions				
Maximum Reach (mm)	1200	1500	1700	2000
Maximum Height of Lift (mm)	2093	2107	2118	2132
Socket Diameter				
65mm	✓	✓	✓	✓
Socket Options				
Top Mount	✓	✓	✓	✓
Flush Mount	✓	✓	✓	✓
Side Mount	✓	✓	✓	✓
Bridge Mount	✓	✓	✓	✓
Pedestal	✓	✓	✓	✓
Standard Features				
Shackle Lifting points	✓	✓	✓	✓
Finishes				
Anodised	✓	✓	✓	✓
316SS Fixings	Optional	Optional	Optional	Optional
Marine Spec	Optional	Optional	Optional	Optional



► Technical Information



Dimensions shown reflect a single variant, not entire range.

Below is a list of standard **TDVW** variants, available from stock.

Custom sizes are available if required, subject to limitations.

For more information, please email our team at: enquiries@reidlifting.com

Part Numbers and Key Metrics

Part Number	Description	= effort to move beam under load	Max WLL (Capacity) kg	Overall Davit Height (from Top of Socket) mm	Max Height of Lift mm	Overall Beam Length mm	Max Radius mm	Min Radius mm	Range of Beam Travel mm	Clearance required for max beam travel mm
TDVWA51200	T-Davit Type VW Column 5 Radius 1200mm WLL300kg	25-30kg	300	2378	2093	1718	1200	474	726	1230
TDVWA51500	T-Davit Type VW Column 5 Radius 1500mm WLL300kg	25-30kg	300	2392	2107	1991	1500	474	1026	1503
TDVWA51700	T-Davit Type VW Column 5 Radius 1700mm WLL150kg	20-25kg	150	2403	2118	2209	1700	474	1226	1721
TDVWA52000	T-Davit Type VW Column 5 Radius 2000mm WLL150kg	20-25kg	150	2417	2132	2483	2000	474	1526	1995

TDVWA41200	T-Davit Type VW Column 4 Radius 1200mm WLL300kg	25-30kg	300	2068	1783	1718	1200	474	726	1230
TDVWA41500	T-Davit Type VW Column 4 Radius 1500mm WLL300kg	25-30kg	300	2082	1797	1991	1500	474	1026	1503
TDVWA41700	T-Davit Type VW Column 4 Radius 1700mm WLL150kg	20-25kg	150	2093	1808	2209	1700	474	1226	1721
TDVWA42000	T-Davit Type VW Column 4 Radius 2000mm WLL150kg	20-25kg	150	2107	1822	2483	2000	474	1526	1995

TDVWA31200	T-Davit Type VW Column 3 Radius 1200mm WLL300kg	25-30kg	300	1753	1468	1718	1200	474	726	1230
TDVWA31500	T-Davit Type VW Column 3 Radius 1500mm WLL300kg	25-30kg	300	1767	1482	1991	1500	474	1026	1503
TDVWA31700	T-Davit Type VW Column 3 Radius 1700mm WLL150kg	20-25kg	150	1778	1493	2209	1700	474	1226	1721
TDVWA32000	T-Davit Type VW Column 3 Radius 2000mm WLL150kg	20-25kg	150	1792	1507	2483	2000	474	1526	1995

Kingpin height - 220mm. Diameter 63.5mm.

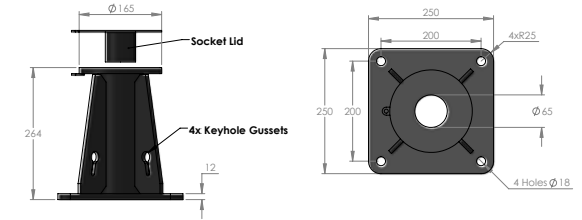
> Sockets

> Top Mount Socket



Product Code	Description	Material	Weight [kg]
STMG0500V2	Socket Top Mount 65 GMS	Galvanised Steel	13
STMS0500V2	Socket Top Mount 65 316SS	Stainless Steel	17
STMA0500	Socket Top Mount 65 Aluminium Natural Anodised	Aluminium	9

- > **Key features**
 - > Secured using 4nr. M16 anchors [not supplied]
 - > Suitable for resin fixing in concrete or through fixing in other substrates

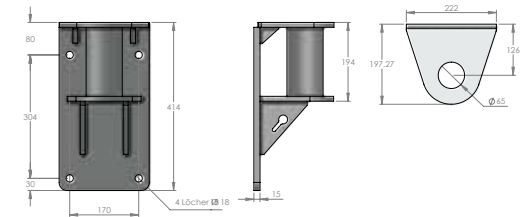


> Side Mount Socket

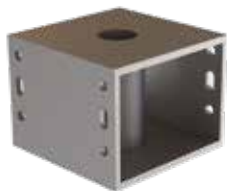


Product Code	Description	Material	Weight [kg]
SSMG0500V2	Socket Side Mount 65 GMS	Galvanised Steel	13
SSMS0500V2	Socket Side Mount 65 316SS	Stainless Steel	17
SSMA0500	Socket Side Mount 65 Aluminium Natural Anodised	Aluminium	6

- > **Key features**
 - > Secured using 4nr. M16 anchors [not supplied]
 - > Suitable for mounting on the side of concrete or steel structures
 - > A brace plate can be supplied for thin-walled concrete

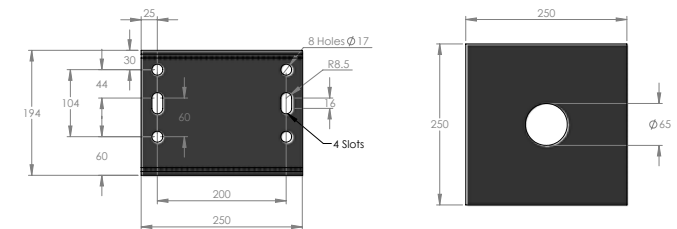


> Bridge Mount Socket



Product Code	Description	Material	Weight [kg]
SBMG0500	Socket Bridge Mount 65 GMS	Galvanised Steel	19
SBMS0500	Socket Bridge Mount 65 316SS	Stainless Steel	19
SBMA0500	Socket Bridge Mount 65 Aluminium Natural Anodised	Aluminium	7

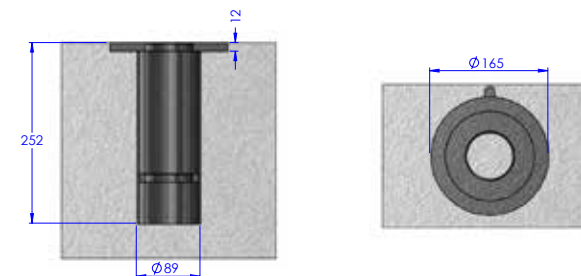
- > **Key features**
 - > Secured using 4nr. M16 anchors (not supplied)
 - > Suitable for bolting into steel structures
 - > Designed to fit open mesh grating or flush with structural steel work



> Flush Mount Socket



Product Code	Description	Material	Weight [kg]
SFMG0500	Socket Flush Mount 65 GMS	Galvanised Steel	5
SFMS0500	Socket Flush Mount 65 316SS	Stainless Steel	4
SFRG0500	Socket Flush Mount Resin Bond 65 GMS	Galvanised Steel	5
SFRS0500	Socket Flush Mount Resin Bond 65 316SS	Stainless Steel	4

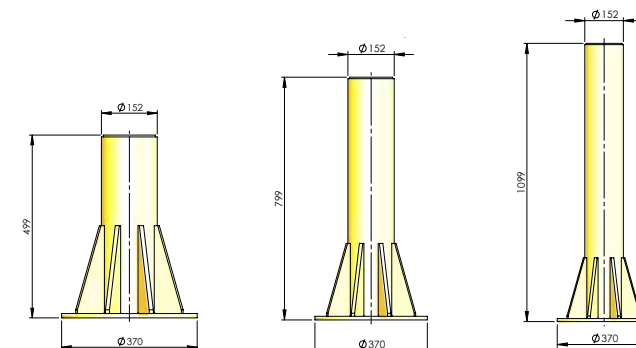


- > **Key features**
 - > Suitable for resin fixing in concrete
 - > Complete with cover and re-bars, for casting into concrete

> Flush Pedestals



Product Code	Description	Material	Weight [kg]
SP0500-0500	Socket Pedestal 65 500mm	Aluminium	17
SP0500-0800	Socket Pedestal 65 800mm	Aluminium	19
SP0500-1100	Socket Pedestal 65 1100mm	Aluminium	19






- > **Key features**
 - > Suitable for use with 65mm kingpin
 - > Secured using 4nr. M16 or M20 anchors [not supplied]

Contact Us

REID Lifting

Unit 1 Wyeview,
Newhouse Farm Ind. Estate
Chepstow, Monmouthshire
NP16 6UD UK

-  +44 (0)1291 620 796
-  enquiries@reidlifting.com
-  www.reidlifting.com

All information herein is copyright protected by REID Lifting Ltd. All company and product names are Trade Mark and Trade Name protected and all REID Product IPR is protected under Patents, Patents Pending and/or Design Rights.

 Printed using environment friendly processes and materials.