

 TDAVIT[®] WINCHED

REIDLIFTING.COM

Our TDAVIT is lightweight, portable, and as well as a wide range of standard sizes can be custom-designed and manufactured to specifically meet our customers' individual needs. Truly pioneering, it offers a lifting capacity of up to 600kg and 360° rotation under a full load.

Key features

- › EN795:2012 Certified
- › ATEX Certified
- › Can support goods and personnel lifting;
 - › Goods WLL of up to 600kg
 - › Personnel WLL of up to 300kg
- › Can be operated and assembled by one person, no tools required
- › Can be rotated 360° under a full load
- › Designed with a universal kingpin which is compatible for all REID sockets
- › Clean, anodised finish for increased corrosion resistance
- › A variety of attachments for a range of applications
- › Engineered designs and bespoke sections reduce weight, providing lightweight portability

Configurations

The TDAVIT is available in a range of configurations and can be customised in line with specific requirements (subject to WLL rating).

**Refer to REID for further guidance



600KG
WLL



1 PERSON
ASSEMBLY



CUSTOMISED
& BAGGED



EN795
CERTIFIED



ATEX
CERTIFIED

Features & Performance

	BEAM 0	BEAM 1	BEAM 2	BEAM 3	BEAM 4
Accreditations, Certifications & Standards					
EN795:2012	✓	✓	✓	✓	×
AS/NZS 5532:2013	✓	✓	✓	✓	×
ATEX Certified [Zone 2]	✓	✓	✓	✓	✓
ATEX Certified [Zone 1]	Optional	Optional	Optional	Optional	Optional
IRATA	✓	✓	✓	✓	×
Capacity					
Maximum Goods Lifting [kg]	600	500	500	375	300
Maximum Personnel Lifting [kg]	300	250	250	150	×
Fall Arrest [Persons]	1	1	1	1	×
Dimensions					
Maximum Reach [mm]	800	1000	1200	1600	2000
Maximum Height of Lift [mm]	2165	2240	2315	2460	2615
Socket Diameter					
65mm	✓	✓	✓	✓	✓
Socket Options					
Top Mount	✓	✓	✓	✓	✓
Flush Mount	✓	✓	✓	✓	✓
Side Mount	✓	✓	✓	✓	✓
Bridge Mount	✓	✓	✓	✓	✓
Pedestal	✓	✓	✓	✓	✓
Extension Post	✓	✓	✓	✓	✓
Standard Features					
Shackle Lifting points	✓	✓	✓	✓	✓
Component Weight < 25kg	✓	✓	✓	✓	✓
Optional Extras					
Winch Capable	✓	✓	✓	✓	✓
Rotational Handle	✓	✓	✓	✓	✓
Finishes					
Anodised	✓	✓	✓	✓	✓
316SS Fixings	Optional	Optional	Optional	Optional	Optional
Marine Spec	Optional	Optional	Optional	Optional	Optional

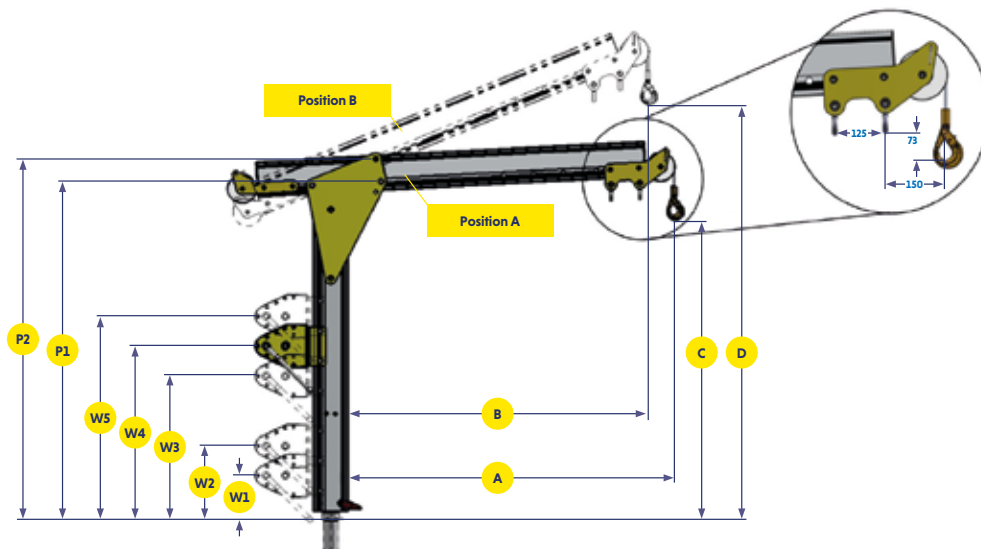
Dimensions in the table are approximate values. For more accurate details please refer to the Dimension Table.

All line items marked with a '✓' come as standard. All line items marked with a 'X' are not available.

All line items marked with 'optional' are available as an option and may incur additional costs.

TDAVIT® WINCHED

- A** Radius | Position A
- B** Radius | Position B
- C** Height of Lift | Position A
- D** Height of Lift | Position B
- W1** Winch Position 1
- W2** Winch Position 2
- W3** Winch Position 3
- W4** Winch Position 4
- W5** Winch Position 5
- P1** Height of Pin Position 1
- P2** Height of Pin Position 2



Product Code	Description
TDWA1A0TD2	T-Davit Type W Column option 1 Beam option 0 WLL 600kg
TDWA1A1TD2	T-Davit Type W Column option 1 Beam option 1 WLL 500kg
TDWA1A2TD2	T-Davit Type W Column option 1 Beam option 2 WLL 500kg
TDWA1A3TD2	T-Davit Type W Column option 1 Beam option 3 WLL 375kg
TDWA1A4TD2	T-Davit Type W Column option 1 Beam option 4 WLL 300kg
TDWA2A0TD2	T-Davit Type W Column option 2 Beam option 0 WLL 600kg
TDWA2A1TD2	T-Davit Type W Column option 2 Beam option 1 WLL 500kg
TDWA2A2TD2	T-Davit Type W Column option 2 Beam option 2 WLL 500kg
TDWA2A3TD2	T-Davit Type W Column option 2 Beam option 3 WLL 375kg
TDWA2A4TD2	T-Davit Type W Column option 2 Beam option 4 WLL 300kg
TDWA3A0TD2	T-Davit Type W Column option 3 Beam option 0 WLL 600kg
TDWA3A1TD2	T-Davit Type W Column option 3 Beam option 1 WLL 500kg
TDWA3A2TD2	T-Davit Type W Column option 3 Beam option 2 WLL 500kg
TDWA3A3TD2	T-Davit Type W Column option 3 Beam option 3 WLL 375kg
TDWA3A4TD2	T-Davit Type W Column option 3 Beam option 4 WLL 300kg
TDWA4A0TD2	T-Davit Type W Column option 4 Beam option 0 WLL 600kg
TDWA4A1TD2	T-Davit Type W Column option 4 Beam option 1 WLL 500kg
TDWA4A2TD2	T-Davit Type W Column option 4 Beam option 2 WLL 500kg
TDWA4A3TD2	T-Davit Type W Column option 4 Beam option 3 WLL 375kg
TDWA4A4TD2	T-Davit Type W Column option 4 Beam option 4 WLL 300kg
TDWA5A0TD2	T-Davit Type W Column option 5 Beam option 0 WLL 600kg
TDWA5A1TD2	T-Davit Type W Column option 5 Beam option 1 WLL 500kg
TDWA5A2TD2	T-Davit Type W Column option 5 Beam option 2 WLL 500kg
TDWA5A3TD2	T-Davit Type W Column option 5 Beam option 3 WLL 375kg
TDWA5A4TD2	T-Davit Type W Column option 5 Beam option 4 WLL 300kg

➤ How To Specify A TDAVIT

Select a beam option from the table based on the radius you require. Each TDAVIT has two radius options A or B which is determined by the beam position [refer to the dimensional drawing on page 3].

Be aware that larger radius beams reduce the working load limit of the TDAVIT.

Select your column option from the dimensional table based on the height of lift you require. Column option 1 is our shortest standard column and option 5 is our tallest.

Should you need a greater height of lift, you can add a pedestal or socket extension, subject to restrictions [see socket overview for more information].

For our standard TDAVIT product codes refer to the product code list on page 3 for any custom requests please contact your REID representative.

To request a quote and any additional information on sockets or accessories such as winches and chain hoists, contact your local reseller or your REID representative.

TDW/DS/ENV/5/09/2021

Beam Options		0		1		2		3		4					
Dimension	A	B	A	B	A	B	A	B	A	B					
Radius [mm]**	800	740	1000	925	1200	1110	1600	1485	2000	1855					
WLL [kg]	600		500		500		375		300						
Weight [kg]	11.5		12		13		16		19						
Dimension	C	D	C	D	C	D	C	D	C	D	Weight [kg]	P1		P2	
1	800	1050	810	1125	820	1200	840	1345	860	1500	20	W1	220	980	1080
												W2	320		
2	980	1230	990	1305	1000	1380	1020	1525	1040	1680	21	W1	220	1165	1265
												W2	320		
												W3	675		
3	1290	1540	1300	1615	1310	1690	1330	1835	1350	1990	23	W1	220	1475	1575
												W2	320		
												W3	675		
												W4	775		
4	1605	1855	1615	1930	1625	2005	1645	2150	1665	2305	25	W3	675	1790	1890
												W4	775		
												W5	875		
5	1915	2165	1925	2240	1935	2315	1955	2460	1975	2615	28	W5	875	2100	2200

Column Option

*Radii achieved at = 75% WLL

All information herein is copyright protected by REID Lifting Ltd. All company and product names are Trade Mark and Trade Name protected and all REID Product IPR is protected under Patents, Patents Pending and/or Design Rights.

 Printed using environment friendly processes and materials.

REID Lifting

Unit 1 Wyeview,
Newhouse Farm Ind. Estate
Chepstow, Monmouthshire
NP16 6UD UK

- +44 (0)1291 620 796
- +44 (0)1291 626 490 (Fax)
- enquiries@reidlifting.com
- www.reidlifting.com