



> TDAVIT[®]
For Rope Access

REIDLIFTING.COM

Our **TDAVIT** for rope access applications has been especially adapted to provide features that are required for best practice by rope access technicians and enable safe, secure and efficient work on buildings and structures.

Key features

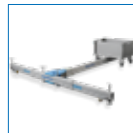
- BS8610:2017 and EN795:2012 Certified [third party witness tested]
- Can support personnel lifting up to 150kg
- Two-piece, lightweight design for ease of transportation and assembly
- Can be operated and assembled by two people, no tools required
- Can be rotated 360° to aid safe inboard assembly and user attachment
- Tether to attach **TDAVIT** to the socket for additional security
- EN795:2012 elevated anchor point for extra safety during transition or rescue tasks
- Marine grade aluminium construction with anodised and powder coated finish for corrosion resistance
- A variety of configurations to provide choice for operator levels and rescue scenarios
- Designed with a universal king pin, suitable for use with REID sockets and **PORTABASE***
- Engineered designs and bespoke sections reduce weight, providing lightweight portability

*Restrictions apply

Configurations

Our **TDAVIT** range for rope access applications are suitable for use with the following sockets and bases. Please refer to socket data sheet for further information, including installation guidelines;

- Steel Top Mount Socket
- Steel Side Mount Socket
- PORTABASE** Counterbalance



The **TDAVIT** is available in a range of configurations and can be customised in line with specific requirements.

*Refer to REID for further guidance



150KG WLL PERSONNEL



2 PERSON ASSEMBLY



BOXED & BAGGED



EN795 CERTIFIED



BS8610 CERTIFIED

Features & Performance

	TDRAC50001	TDRAC50002	TDRAC0003	
Accreditations, Certifications & Standards				
BS8610:2017 Type A1 - Restrain	✓	✓	✓	✓
BS8610:2017 Type A2 - Fall Arrest	✓	✓	✓	✓
BS8610:2017 Type A3 - Rope Access & Work Positioning	✓	✓	✓	✓
BS8610:2017 Type A4 - Rescue Accompanied Decent	x	✓	x	x
BS8610:2017 Type A5 - Rescue Remotely Operated	✓	✓	✓	✓
BS8610:2017 Type A7 - Evacuation	✓	✓	✓	✓
EN795:2012	✓	✓	✓	✓
IRATA	✓	✓	✓	✓
Capacity				
Maximum Rated Mass [RMmax] [kg]	150	150	115	150
Maximum System Rating [SRmax] [kg]	150	150	230	150
Rope Access [Persons]	1	1	2	1
Dimensions**				
Column Height [mm]	2225	2225	2225	2225
Maximum Reach [mm]	1600	1000	1200	1200
Socket and Base Options				
Steel Top Mount	✓	✓	✓	✓
Steel Side Mount	✓	✓	✓	✓
Porta Base Counterbalance	x	x	✓	✓
Finishes				
Anodised	✓	✓	✓	✓

*When TDRAC50002 is being used for Type A4 the system is rated for 2 persons at 115kg per user, contact REID for more details

** For maximum height of system, incorporate height of socket above ground level

Dimensions in the table are approximate values. For more accurate details please refer to the Dimension Table.

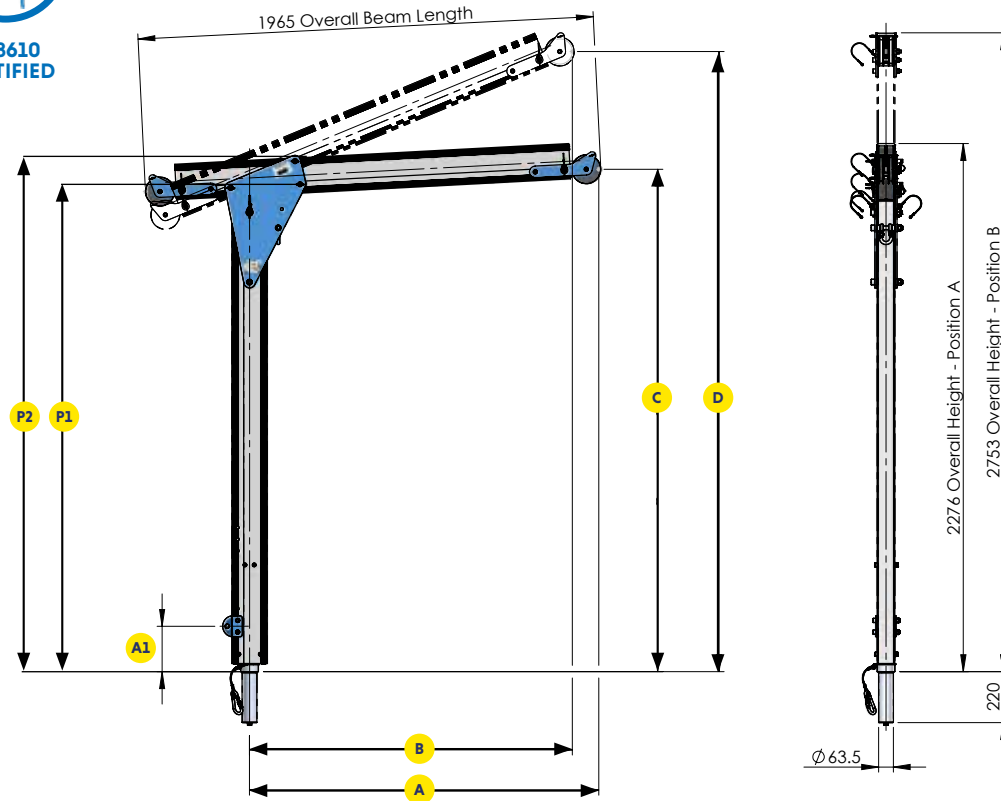
All line items marked with a '✓' come as standard. All line items marked with a 'x' are not available.

All line items marked with 'optional' are available as an option and may incur additional costs.

TDAVIT® | TDRAC50001



**BS8610
CERTIFIED**



Part Number	TDRAC50001	
Position	A	B
Radius [mm]	1600	1485
Height Of Lift [HoL] [mm]	2166	2673
Capacity [Persons]	1	
Height of Pin Position 1 [P1] [mm]	2100	
Height of Pin Position 2 [P2] [mm]	2200	
Anchor Height on Column [A1] [mm]	195	
Column Height [mm]	2225	
Column Weight [kg]	28	
Beam Length [mm]	1965	
Beam Weight [kg]	16	
Overall Length of Column for Transport [mm]	2496	
Overall Length of Beam for Transport [mm]	1965	

> Suitable Sockets & Bases

- A** Radius | Position A
- B** Radius | Position B
- C** Height of Lift | Position A
- D** Height of Lift | Position B
- P1** Height of Pin Position 1
- P2** Height of Pin Position 2
- A1** Anchor Height on Column



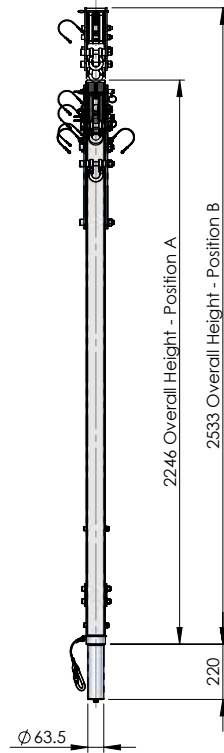
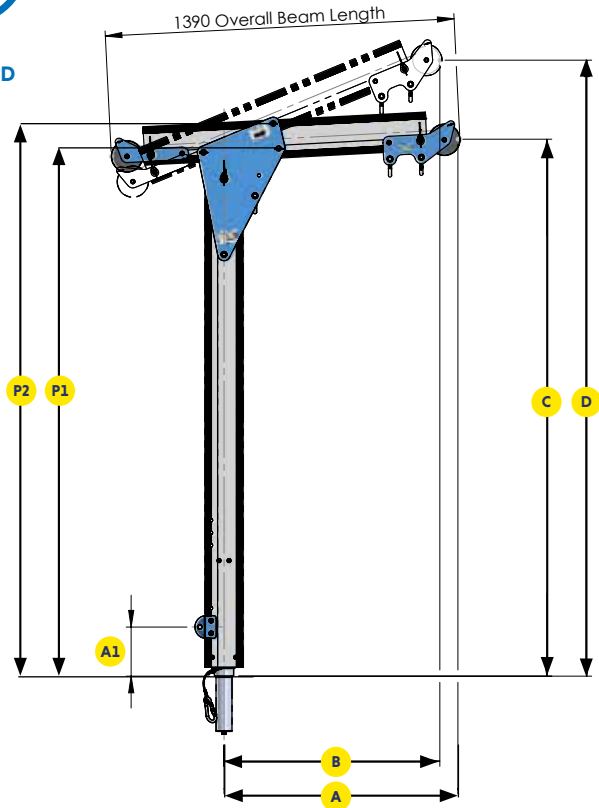
Top Mount



Side Mount



BS8610
CERTIFIED



Part Number

TDRAC50002

Position	A	B
Radius [mm]*	1000	925
Height Of Lift [HoL] [mm]	2138	2453
Capacity [Persons]	2	
Height of Pin Position 1 [P1] [mm]	2100	
Height of Pin Position 2 [P2] [mm]	2200	
Anchor Height on Column [A1] [mm]	195	
Column Height [mm]	2225	
Column Weight [kg]	28	
Beam Length [mm]	1390	
Beam Weight [kg]	12	
Overall Length of Column for Transport [mm]	2496	
Overall Length of Beam for Transport [mm]	1390	

> Suitable Sockets & Bases

- A** Radius | Position A
- B** Radius | Position B
- C** Height of Lift | Position A
- D** Height of Lift | Position B
- P1** Height of Pin Position 1
- P2** Height of Pin Position 2
- A1** Anchor Height on Column



Top Mount

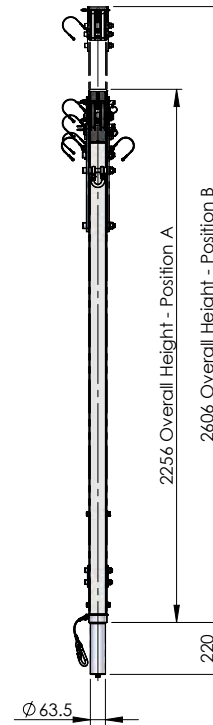
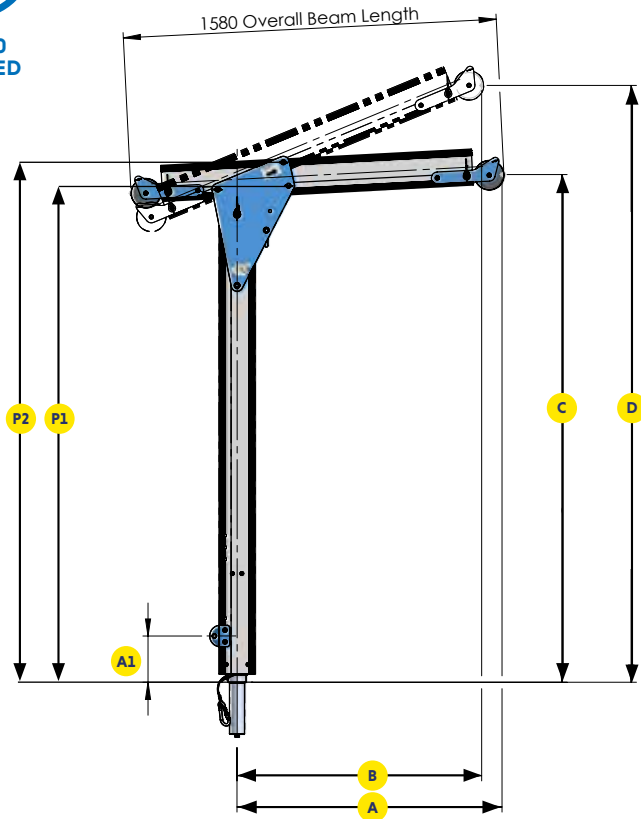


Side Mount

TDAVIT® | TDRAC50003



**BS8610
CERTIFIED**



Part Number

TDRAC50003

Position	A	B
Radius [mm]*	1200	1100
Height Of Lift [HoL] [mm]	2148	2525
Capacity [Persons]	1	
Height of Pin Position 1 [P1] [mm]	2100	
Height of Pin Position 2 [P2] [mm]	2200	
Anchor Height on Column [A1] [mm]	195	
Column Height [mm]	2225	
Column Weight [kg]	28	
Beam Length [mm]	1580	
Beam Weight [kg]	13	
Overall Length of Column for Transport [mm]	2496	
Overall Length of Beam for Transport [mm]	1580	

> Suitable Sockets & Bases

- A** Radius | Position A
- B** Radius | Position B
- C** Height of Lift | Position A
- D** Height of Lift | Position B
- P1** Height of Pin Position 1
- P2** Height of Pin Position 2
- A1** Anchor Height on Column



Top Mount



Side Mount



Counterbalance*

*When used with Counterbalance, BS8610 is not the applicable standard. Meets requirements of EN795:2012 and IRATA ICOP

➤ TDRAC50001



➤ TDRAC50002



➤ TDRAC50003



TD-RA/DS/ENV3/05/2022

All information herein is copyright protected by REID Lifting Ltd. All company and product names are Trade Mark and Trade Name protected and all REID Product IPR is protected under Patents, Patents Pending and/or Design Rights.



Printed using environment friendly processes and materials.

REID Lifting
Unit 1 Wyview,
Newhouse Farm Ind. Estate
Chepstow, Monmouthshire
NP16 6UD UK

- +44 (0)1291 620 796
- +44 (0)1291 626 490 (Fax)
- enquiries@reidlifting.com
- www.reidlifting.com